

DESCRIPTION



Two way direct acting solenoid valve with spring return, normally close.

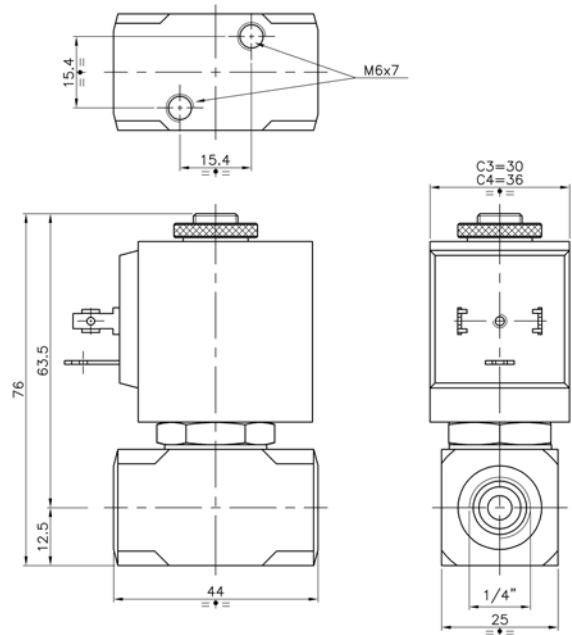
Suitable for gaseous and liquid media compatible with the used material (body/seals), vacuum.

Stainless steel AISI 303 body.
Stainless steel guide tube.
Stainless steel internal parts.
Stainless steel springs.

Solenoid can be rotated 360°.

Valve will operate in any position.

DIMENSIONS mm

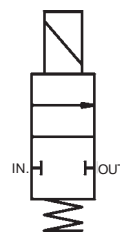


ELETTRICAL INFORMATION

Continuous duty glass-reinforced nylon moulded coil with electrical connection suitable for DIN-43650 plug (2 poles+ground) or faston wire terminal. Two cables available on request.

Coil type:	C3 / C4
Insulation class:	F (155°C), H (180°C) on request.
Winding wire class:	H (180°C)
Protection class:	Waterproof IP-65 (norme EN60529) when properly plug connected when DIN-43650 plug.
Duty:	Continuous (S.I.) 100% ED
Power consumption:	C3 Alternate Current 13VA (inrush 20VA) Direct Current 8W
	C4 Alternate Current 22VA (inrush 40VA) Direct Current 27W
Voltage tolerance:	a.c. +10% ÷ -15%, d.c. +10% ÷ -5%
Electrical Insulation:	>500 MOhm
Dielectrical Strength:	>2000 V/1'
Standard voltage:	d.c. 12, 24 Volt a.c. 24, 110, 230 Volt (50/60 Hz) other voltages available on request.

OPERATION



Normally close

In : IN
Out : OUT
Coil de-energised : IN and OUT close.
Coil energised : IN to OUT

SPECIFICATIONS AND AVAILABLE OPTIONS

MODEL						ORIFICE mm	PRESSURE IN BAR						Flow factor kv (l/min.)	WEIGHT Kg.	
							NOMINAL MAX.	MIN./MAX. DIFFERENTIAL PRESSURE				kv (l/min.)		with coil C3	with coil C4
								MIN.	MAX. with coil C3		MAX. with coil C4				
a	b	c	d	e	f	1,5	100	0	30	26	60	55	1,2	0,36	0,43
L	05	C	15	*		2	100	0	22	20	45	40	1,7	0,36	0,43
L	05	C	25	*		2,5	100	0	16	14	35	33	2,5	0,36	0,43
L	05	C	35			3,5	100	0	10	8	20	19	5,4	0,36	0,43
L	05	C	45	*		4,5	100	0	6,5	3,5	14	13	6,9	0,36	0,43
L	05	C	52			5,2	100	0	4	1,8	9	9	7,9	0,36	0,43

a	b	c	d	e	f
Construction A AC C DC	Valve type L 2 way N.C.	Port size B 1/8" GAS J 1/8" NPT C 1/4" GAS K 1/4" NPT <i>1/8" GAS port available only on request</i> <i>NPT port available only on request</i>	Seal material B NBR V VITON E EPDM W EPM WT PX* R RULON T PTFE H HNBR I Stainless steel <i>* certified for food</i>	Body material I Stainless steel AISI 303	Optional feature SG Clean for Oxigene * Available on request 1 High pressure

Rev.IT-00/2012 - Le caratteristiche possono subire variazioni senza preavviso. / Characteristics may change without notice.