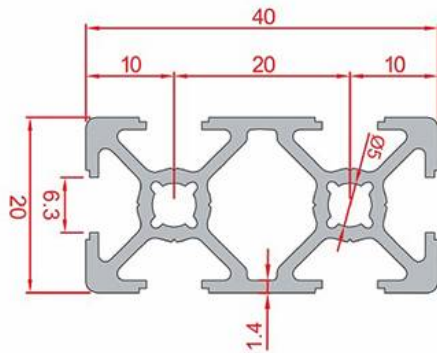


20X40 SIGMA PROFILE



General Specifications

Used in board applications of cabins that do not require loading, as as in body formation of smaller frame constructions.

Stock Code	Stock Name	External Dimensions	Material	L(mm)	Ix	Iy	Wx	Wy	Area	Mass
1.1.06.020040.01	20x40 Sigma Profile	20x40	6063 T5	6000	4,17 cm <sup>4</sup>	1,12 cm <sup>4</sup>	2,08 cm <sup>3</sup>	1,12 cm <sup>3</sup>	2,6 cm <sup>2</sup>	0,73 Kg/m