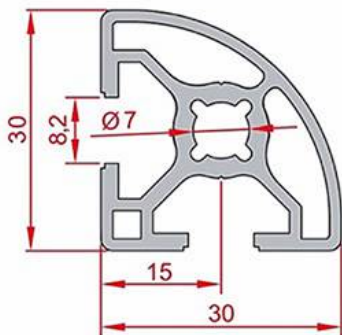


30X30 RADIUS SIGMA PROFILE



General Specifications

Radius profiles allow creating designs such as booth, board, cabin etc. in locations where decorative view matters.

Stock Code	Stock Name	External Dimensions	Material	L(mm)	Ix	Iy	Wx	Wy	Area	Mass
1.1.08.030030.08	30x30 Radius Sigma Profile	30x30	6063 T5	6000	1,74 cm <sup>4</sup>	2,60 cm <sup>4</sup>	1,16 cm <sup>3</sup>	1,73 cm <sup>3</sup>	2,78 cm <sup>2</sup>	0,75 Kg/m