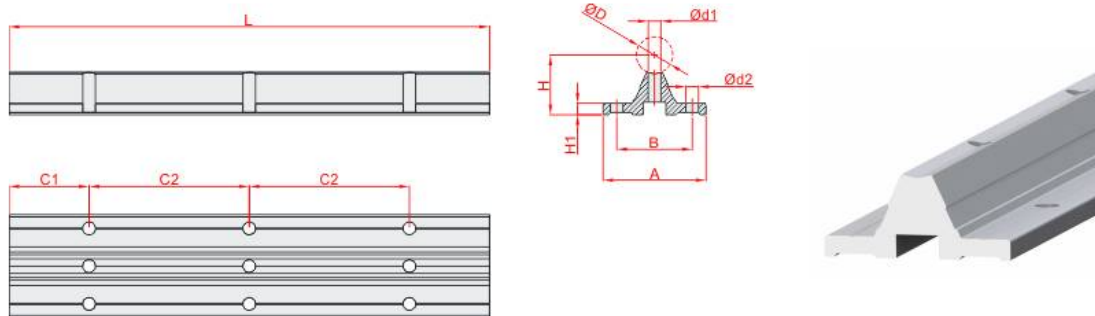


SHAFT SUB-SUPPORT PROFILE (PERFORATED)



General Specifications

Beddings with shaft sub-support stand out for availability in longer applications and ensuring practical connections. Since the shaft has a sub-support all along, it does not cause deflection; thereupon, the problem of linearity is minimized in longer sizes.

Stock Code	Stock Name	ØD	B	A	H	h1	Ød1	Ød2	C1	C2	L	Weight (Kg/Mt)
1.3.12.040016.01	Shaft Sub-Support Profile (Perforated)	Ø12	29	40	22	5	Ø4,5	Ø4,5	50	75	6000	0.678
1.3.16.045018.01	Shaft Sub-Support Profile (Perforated)	Ø16	33	45	26	5	5,5	Ø5,5	50	100	6000	0.825
1.3.20.052022.01	Shaft Sub-Support Profile (Perforated)	Ø20	37	52	32	5,8	Ø6,6	Ø6,6	50	100	6000	1.242
1.3.25.057024.01	Shaft Sub-Support Profile (Perforated)	Ø25	42	57	36	6	Ø9	Ø6,6	60	120	6000	1.39
1.3.30.069027.01	Shaft Sub-Support Profile (Perforated)	Ø30	51	69	42	7	Ø11	Ø9	75	150	6000	1.98
1.3.40.073030.01	Shaft Sub-Support Profile (Perforated)	Ø40	55	73	50	8	Ø11	Ø9	100	200	6000	2.71