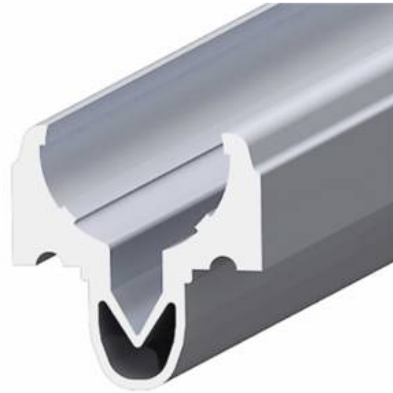
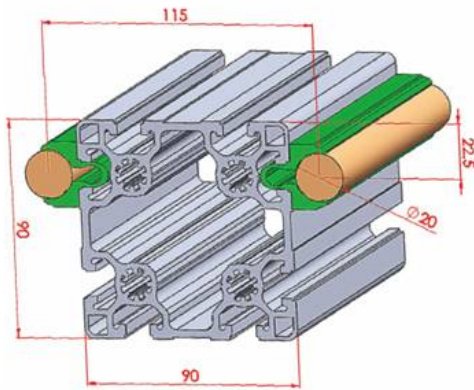


Ø 20 BEARING TAB PROFILE



General Specifications

Assembly of bedding shafts of Ø20 subject to medium loads is ensured via tab profiles.

Stock Code	Stock Name	Shaft Diameter	Material	L(mm)	Lx	Ly	Area	Weight (kg)
1.3.20.000000.00	Ø 20 Bearing Tab Profile	Ø20	6063 T5	6000	0,79 cm4	1,71 cm4	2,09 cm²	0,58 kg/mt