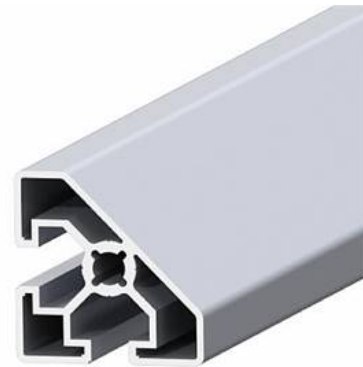
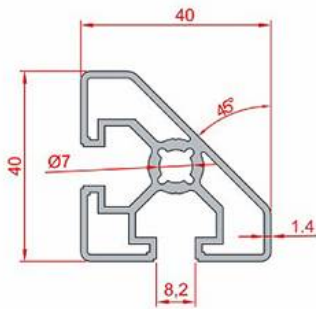


40X40 45° ANGULAR PROFILE



General Specifications

Ensures a different view of 45°C in outer surfaces of machine cabins and booths.
Comprises specific fasteners and accessories.

| Stock Code | Stock Name | External Dimensions | Material | L(mm) | Ix | Iy | Wx | Wy | Area | Mass |
|------------------|---------------------------|---------------------|----------|-------|------------------------|------------------------|-------------------------|-------------------------|-------------------------|--------------|
| 1.1.08.040040.06 | 40x40 45° Angular Profile | 40x40 | 6063 | 6000 | 4,4 cm ⁴ | 4,4 cm ⁴ | 1,90 cm ³ | 1,90 cm ³ | 3,43 cm ² | 0,93 Kg/m |