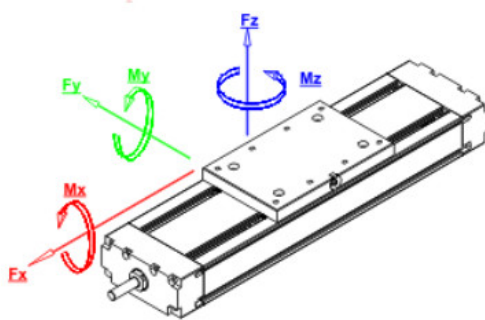
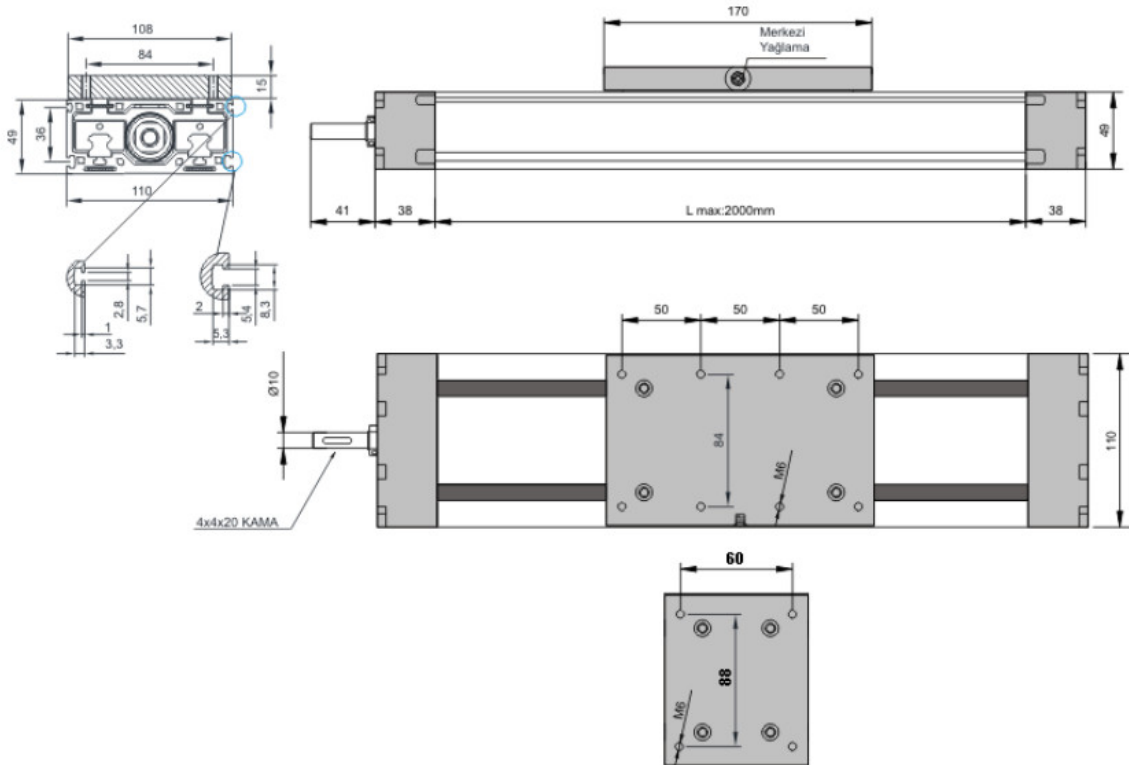


Stock Code	Stock Name	Plate Length	Ball Screw Brand	Ball Screw	Linear Rail Brand	Linear Rail	Maximum Speed
5.02.01.050110.01.0500	50x110 Linear Compact Module	80 mm	DKM	16x05	DMS	GHR 15	0,12 mt/sn
5.02.01.050110.01.0501	50x110 Linear Compact Module	170 mm	DKM	16x05	DMS	GHR 15	0,12 mt/sn
5.02.01.050110.01.1000	50x110 Linear Compact Module	80 mm	Gten	16x05	THK	HSV 15	0,12 mt/sn
5.02.01.050110.01.1001	50x110 Linear Compact Module	170 mm	Gten	16x05	THK	HSV 15	0,12 mt/sn

Body ; 50x110 Profile (Aluminium 6063) T5
Positioning Accuracy ; 0,01 mm



■ F_x	(N)	975
■ F_y	(N)	1960
■ F_z	(N)	2350
■ M_x	(Nm)	145
■ M_y	(Nm)	115
■ M_z	(Nm)	115