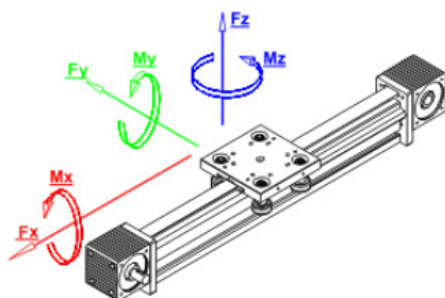
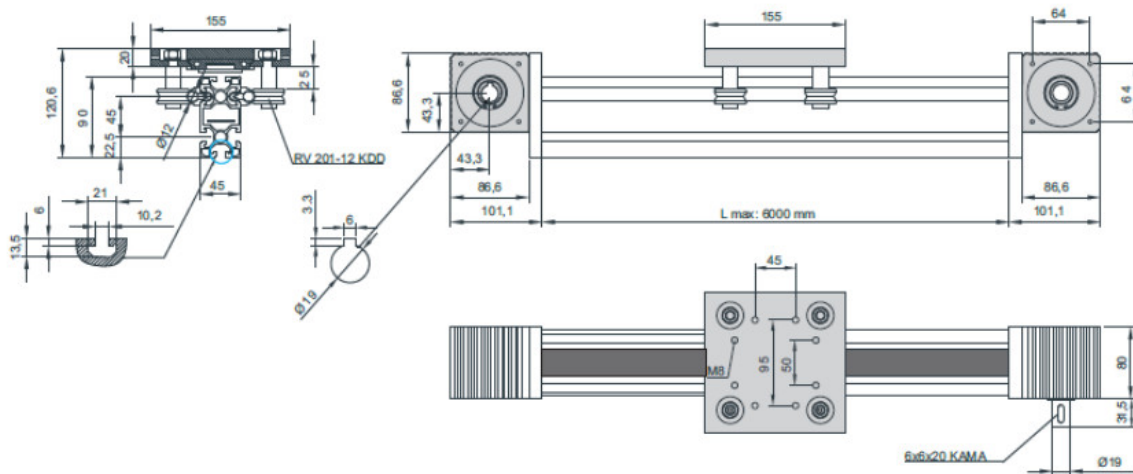


Stock Code	Stock Name	Plate Length	Timing-Belt	Induction Shaft	Maximum Speed
5.03.05.045090.02.0500	45x90 Roller Timing Belt Module	155 mm	5M 30	Ø12 CF53 h7	5 mt/sn

**Body** ; 45x90 Profile (Aluminium 6063) T5  
**Movement Distance Per Tour** ; 200 mm  
**Timing Pulley** ; 5M-F30 Z=40  
**Belt Tensile Force** ; 3000 N  
**Timing Belt Pitch** ; 5 mm  
**Positioning Accuracy** ; 0,2 mm



<span style="color: red;">■</span> $F_x$	(N)	640
<span style="color: green;">■</span> $F_y$	(N)	885
<span style="color: blue;">■</span> $F_z$	(N)	1150
<span style="color: red;">■</span> $M_x$	(Nm)	75
<span style="color: green;">■</span> $M_y$	(Nm)	70
<span style="color: blue;">■</span> $M_z$	(Nm)	86