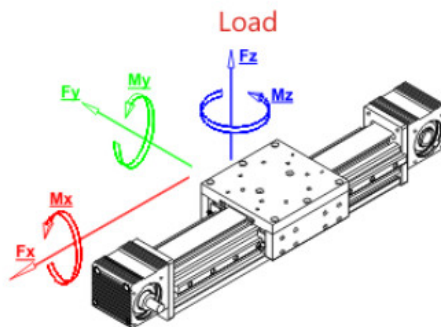
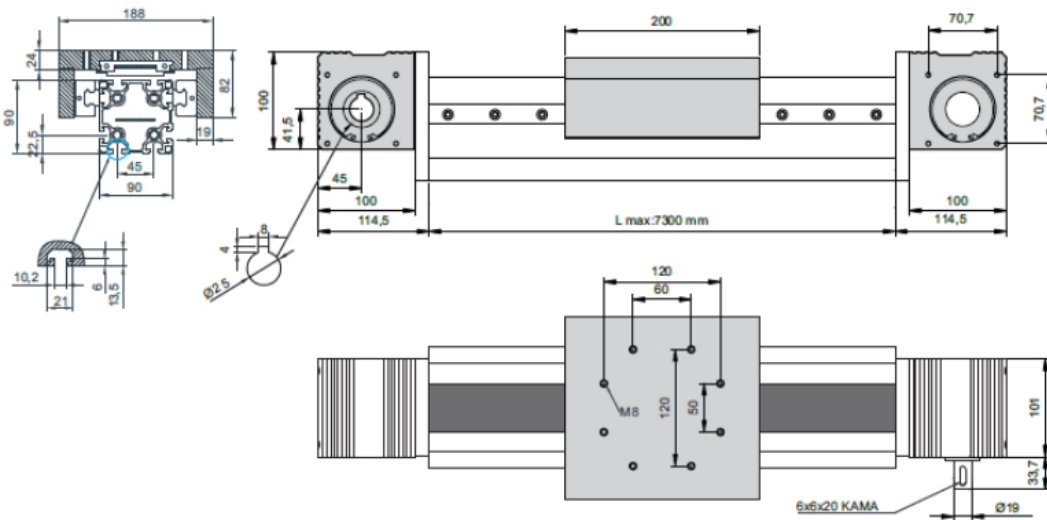


90X90 LINEAR TIMING BELT MODULE



Stock Code	Stock Name	Plate Length	Timing-Belt	Linear Rail Brand	Linear Rail	Maximum Speed
5.03.05.090090.01.0500	90x90 Linear Timing Belt Module	200 mm	8M 50	DMS	GHR 20	5 mt/sn
5.03.05.090090.01.1000	90x90 Linear Timing Belt Module	200 mm	8M 50	THK	HSV 20	5 mt/sn

**Body** ; 90x90 Profile (Aluminium 6063) T5  
**Movement Distance Per Tour**; 192mm  
**Timing Pulley** ; 8M-F50 Z=24  
**Belt Tensile Force** ; 3000 N  
**Timing Belt Pitch** ; 8 mm  
**Positioning Accuracy** ; 0,1 mm



<span style="color: red;">■</span> $F_x$	(N)	950
<span style="color: green;">■</span> $F_y$	(N)	2785
<span style="color: blue;">■</span> $F_z$	(N)	3863
<b>Moment</b>		
<span style="color: red;">■</span> $M_x$	(Nm)	690
<span style="color: green;">■</span> $M_y$	(Nm)	435
<span style="color: blue;">■</span> $M_z$	(Nm)	435