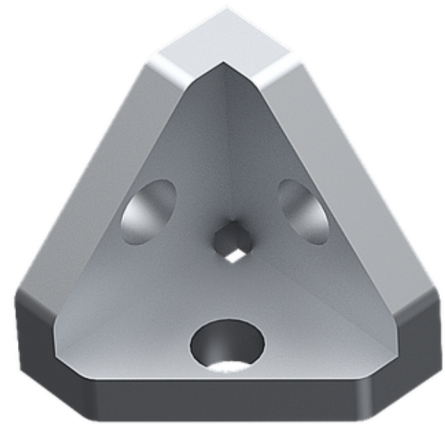
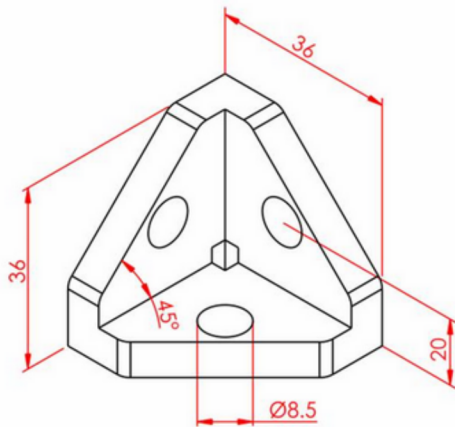


## TRIANGULAR CORNER BRACKET



## General Specifications

Preferred in double or triple corner joints of graded and slotted profiles.  
 Often used in cabin coating of machines.  
 Ensures stylish view thanks to caps.

Stock Code	Stock Name	Material	Weight (gr)
2.2.001.10.4040.06	Triangular Corner Bracket	Zinc 5	56