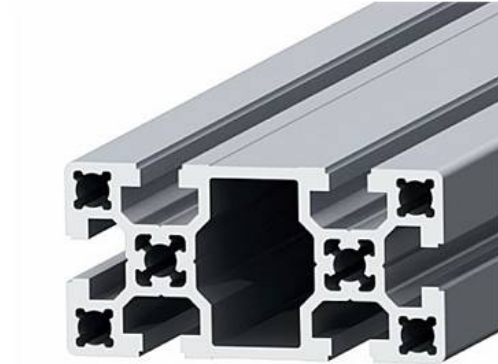
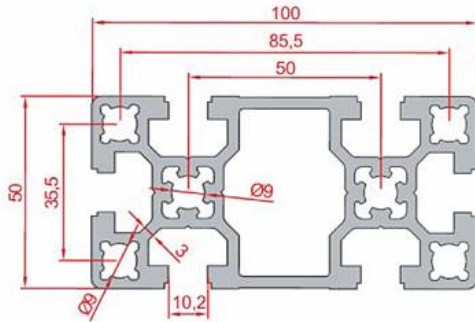


50X100 HEAVY SIGMA PROFILE



General Specifications

These profile series are preferred in strength-requiring structures and machine body formations.

Stock Code	Stock Name	External Dimensions	Material	L(mm)	I <sub>x</sub>	I <sub>y</sub>	W <sub>x</sub>	W <sub>y</sub>	Area	Mass
1.1.10.050100.01	50x100 Heavy Sigma Profile	50x100	6063	6000	175 cm <sup>4</sup>	45,2 cm <sup>4</sup>	35 cm <sup>3</sup>	18,1 cm <sup>3</sup>	16,92 cm <sup>2</sup>	4.57 Kg/m