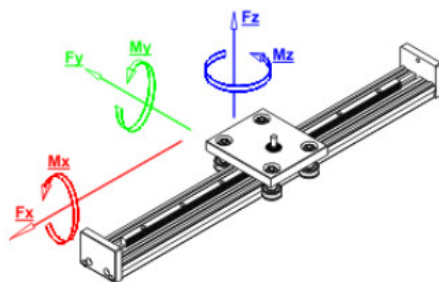
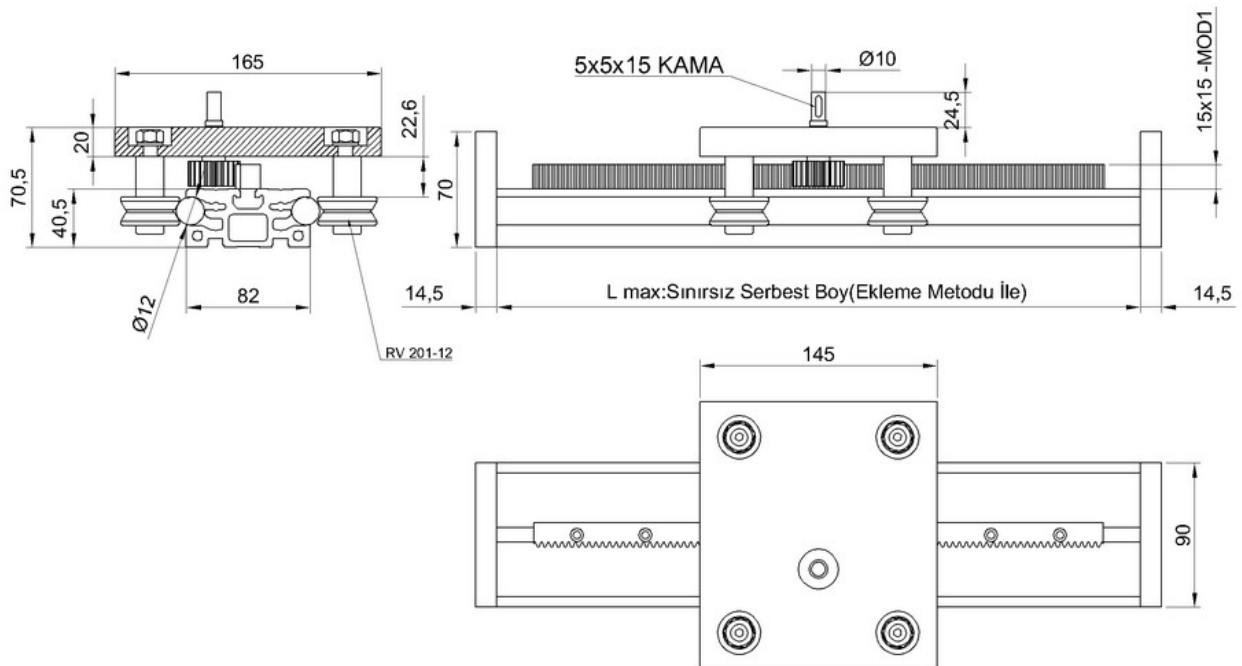


Stock Code	Stock Name	Plate Length	Rack & Pinion	Induction Shaft	Maximum Speed
5.04.07.030082.02.0500	Ø12 Rack and Pinion Block Module	145 mm	Mod 1 Straight	Ø12 CF53 h7 400N	1,1 mt/sn

Body ; 30x82 Profile (Aluminium 6063) T5
Movement Distance Per Tour ; 69,08 mm
Pinion ; Mod:1 Z:22
Gear Step ; 3,14 mm
Positioning Accuracy ; 0,2 mm



■ F_x	(N)	Ø12
■ F_y	(N)	870
■ F_z	(N)	1100
Moment		
■ M_x	(Nm)	70
■ M_y	(Nm)	65
■ M_z	(Nm)	75