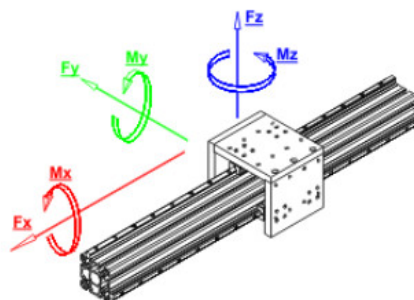
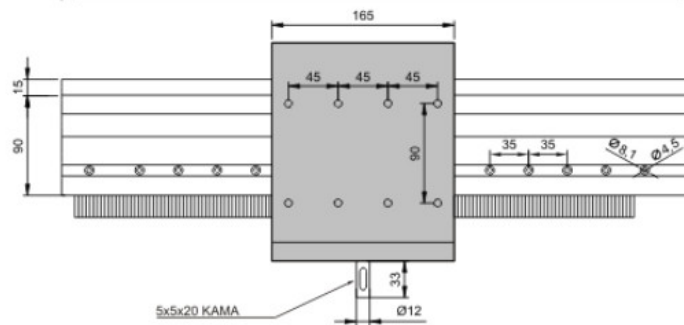
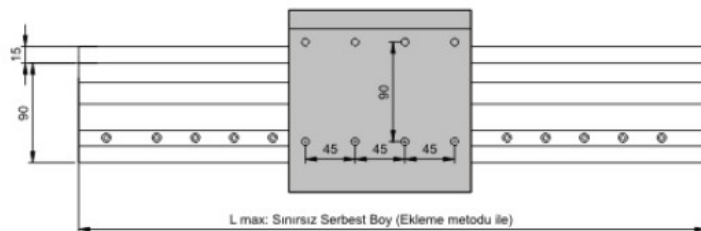
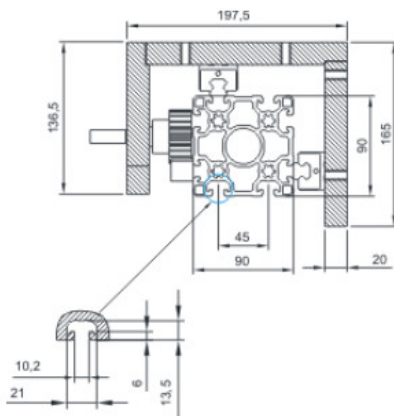


Stock Code	Stock Name	Plate Length	Rack & Pinion	Linear Rail Brand	Linear Rail	Maximum Speed
5.4.5.090090.1.1	90x90 Linear Rack and Pinion Bridge Module	165 mm	Mod 2 Straight	DMS	GHR 15	2,2 mt/sn
5.4.5.090090.1.2	90x90 Linear Rack and Pinion Bridge Module	165 mm	Mod 2 Straight	THK	HSV 15	2,2 mt/sn

Body ; 90x90 Profile (Aluminium 6063) T5
Movement Distance Per Tour ; 138,16 mm
Pinion ; Mod:2 Z:22
Gear Step ; 6,28 mm
Positioning Accuracy ; 0,2 mm



■ F_x	(N)	
■ F_y	(N)	2125
■ F_z	(N)	2125
Moment		
■ M_x	(Nm)	230
■ M_y	(Nm)	165
■ M_z	(Nm)	165