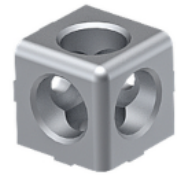
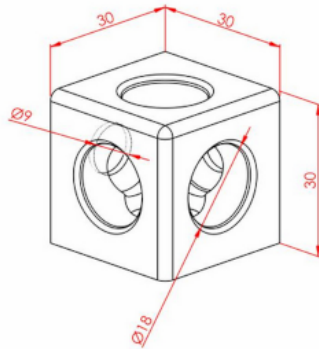


30X30 THREE-WAY SQUARE CORNER BRACKET

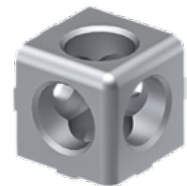
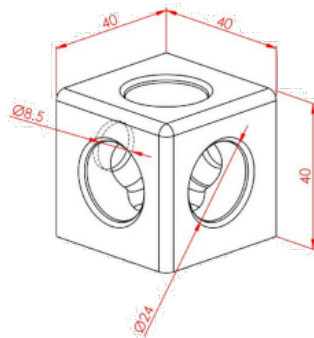


General Specifications

Enables corner connection of three profiles with a slot size of 8 mm.  
 Enables easy assembly since it requires no drilling.  
 Plastic caps mounted on the outer surface ensure stylish view.

Stock Code	Stock Name	Material	Weight (gr)
2.2.001.08.3030.08	30x30 Three-Way Square Corner Bracket	Aluminium	38,5

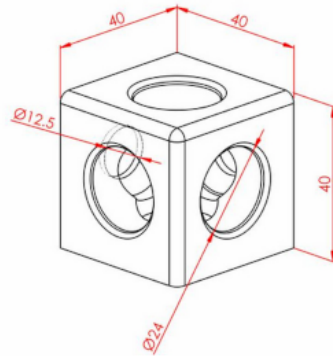
40X40 THREE-WAY SQUARE CORNER BRACKET



General Specifications

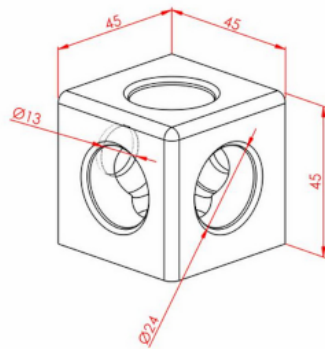
Enables corner joint of three profiles.  
 Enables easy assembly since it requires no drilling.  
 Plastic caps mounted on the outer surface ensure stylish view.

Stock Code	Stock Name	Material	Weight (gr)
2.2.001.08.4040.08	40x40 Three-Way Square Corner Bracket K8	Aluminyum	94,5

**40X40 THREE-WAY SQUARE CORNER BRACKET**

**General Specifications**

Enables corner joint of three profiles.  
 Enables easy assembly since it requires no drilling.  
 Plastic caps mounted on the outer surface ensure stylish view.

Stock Code	Stock Name	Material	Weight (gr)
2.2.001.10.4040.08	40x40 Three-Way Square Corner Bracket K10	Aluminium	94,5

**45X45 THREE-WAY SQUARE CORNER BRACKET**

**General Specifications**

Enables corner connection of three profiles with a slot size of 10 mm.  
 Enables easy assembly since it requires no drilling.  
 Plastic caps mounted on the outer surface ensure stylish view.

Stock Code	Stock Name	Material	Weight (gr)
2.2.001.10.4545.08	45x45 Three-Way Square Corner Bracket	Aluminium	151