

SQ SQ Series - Ø 1"



CHARACTERISTICS

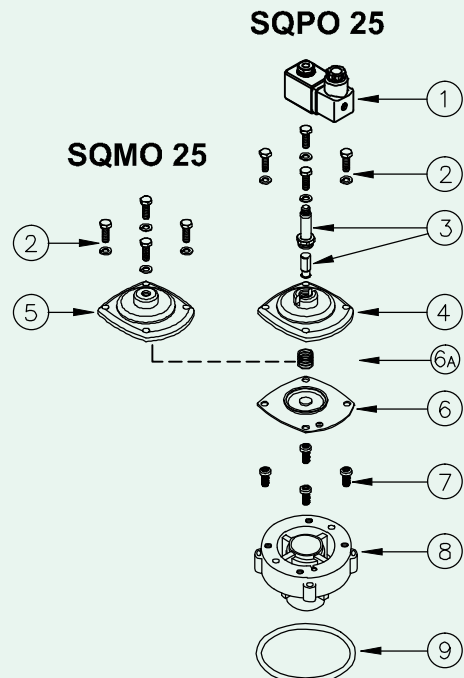
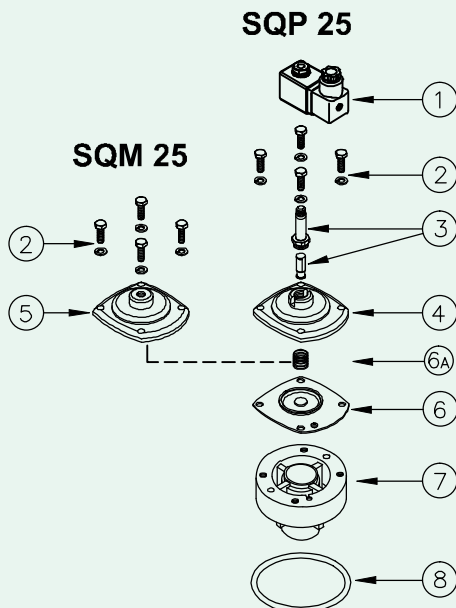
Fluid	Filtered and oilfree compressed air
Temperature range	STD diaphragm -20°C; +80°C Viton diaphragm -20°C; +200°C
Operating pressure	min 0,5 bar - max 7,5 bar
Body and cover	Die cast aluminium
Core tube	Stainless steel
Plunger	Stainless steel
Screws	Stainless steel
Coil insulation	Class H
Din's connector	PG 9 EN175301-803
Protection Din's connector + Coil	IP65 EN60529
Standard voltage	24V/50-60Hz (±10%) 19VA 115V/50-60Hz (±10%) 19VA 230V/50-60Hz (±10%) 19VA 24VDC (± 10%) 18 Watt

DESCRIPTION	VALVE SQM25/SQP25
1 Coil + Din Connector	BH10...V/50-60Hz
2 Screws + Washers	VTE6x20+TROND6GROWER
3 Pole assembly	GPC10
4 Cover direct drive	TCOP25
5 Remote operated cover	TCOP25FM
6 Diaphragm	M25
6a Spring	TMOL10G
7 Body	TCOR25IM
8 O-ring	G OR65x4

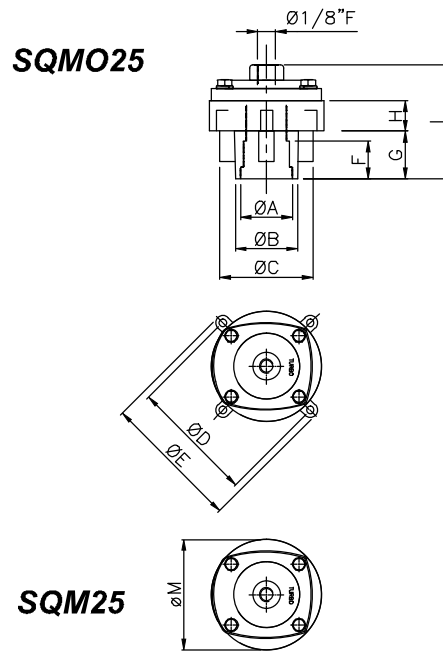
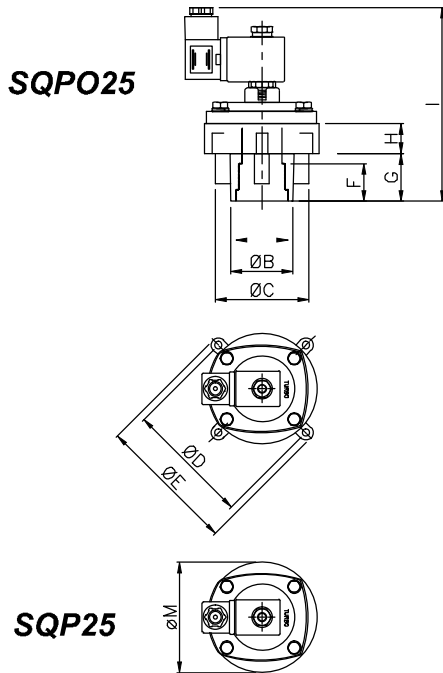
SQP Integral solenoid pilot version / **SQM** Remote pilot version

DESCRIPTION	VALVE SQMO25/SQPO25
1 Coil + Din Connector	BH10...V/50-60Hz
2 Screws + Washers	VTE6x20+TROND6GROWER
3 Pole assembly	GPC10
4 Cover direct drive	TCOP25
5 Remote operated cover	TCOP25FM
6 Diaphragm	M25
6a Spring	TMOL10G
7 Screws	VTCEI6x16
8 Body	TCOR25IMO
9 O-ring	G OR65x4

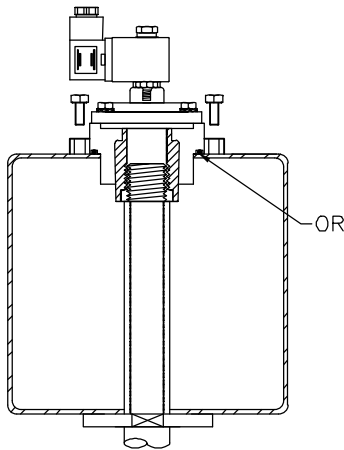
SQPO Integral solenoid pilot version / **SQMO** Remote pilot version



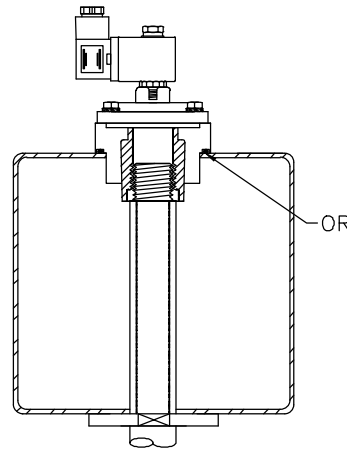
Overall dimensions / SQ Series **SQ**



Mounting SQPO25 / SQMO25



Mounting SQP25 / SQM25



Model	Ø A	Ø B	Ø C	Ø D	Ø E	Ø M	F	G	H	I	L	Weight (Kg)
SQPO 25	1"	41,4	62,2	104	116	92	25	31,5	20,2	136	6,2	0,7
SQP 25	1"	41,4	62,2	104	116	92	25	31,5	20,2	136	6,2	0,7
SQMO 25	1"	41,4	62,2	104	116	92	25	31,5	20,2	78	6,2	0,5
SQM 25	1"	41,4	62,2	104	116	92	25	31,5	20,2	78	6,2	0,5

SQ SQ Series - Ø 1" 1/2



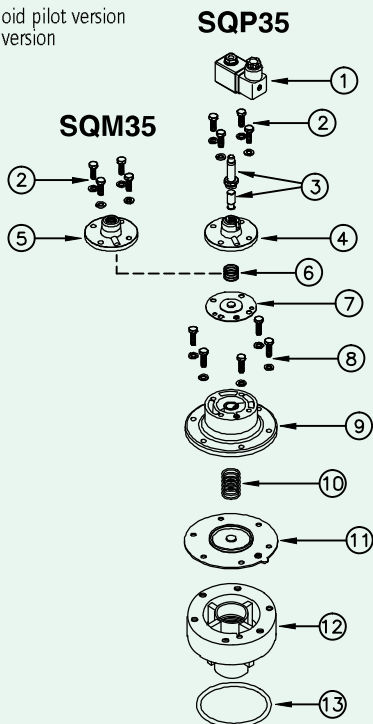
CHARACTERISTICS

Fluid	Filtered and oilfree compressed air
Temperature range	STD diaphragm -20°C; +80°C Viton diaphragm -20°C; +200°C
Operating pressure	min 0,5 bar - max 7,5 bar
Body and cover	Die cast aluminium
Core tube	Stainless steel
Plunger	Stainless steel
Screws	Stainless steel
Coil insulation	Class H
Din's connector	PG 9 EN175301-803
Protection Din's connector + Coil	IP65 EN60529
Standard voltage	24V/50-60Hz (±10%) 19VA 115V/50-60Hz (±10%) 19VA 230V/50-60Hz (±10%) 19VA 24VDC (± 10%) 18 Watt

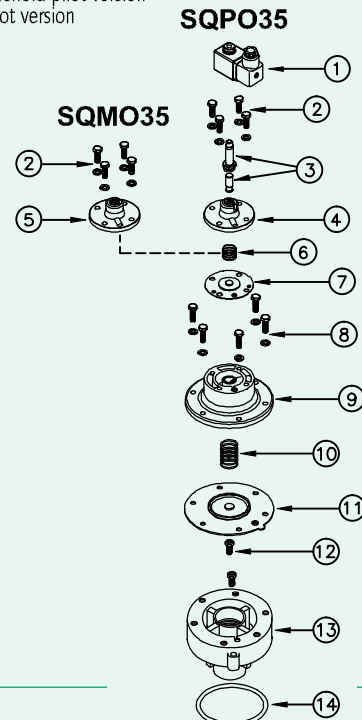
DESCRIPTION	VALVE SQM35/SQP35
1 Coil + Din Connector	BH10...V/50-60Hz
2 Screws + Washers	VTE6x18+TROND6GROWER
3 Pole assembly	GPC10
4 Cover direct drive	TCOP10
5 Remote operated cover	TCOP10FM
6 Spring	TMOL10G
7 Diaphragm	M10
8 Screws + Washers	VTE6x20+TROND6GROWER
9 Cover	TCOP35N
10 Spring	TMOL25GHS
11 Diaphragm	M35
12 Body	TCOR35FMG
13 O-ring	G OR6337

DESCRIPTION	VALVE SQO35/SQPO35
1 Coil + Din Connector	BH10...V/50-60Hz
2 Screws + Washers	VTE6x18+TROND6GROWER
3 Pole assembly	GPC10
4 Cover direct drive	TCOP10
5 Remote operated cover	TCOP10FM
6 Spring	TMOL10G
7 Diaphragm	M10
8 Screws + Washers	VTE6x20+TROND6GROWER
9 Cover	TCOP35N
10 Spring	TMOL25GHS
11 Diaphragm	M35
12 Screws	VTCE18x20
13 Body	TCOR35FMGS
14 O-ring	G OR6337

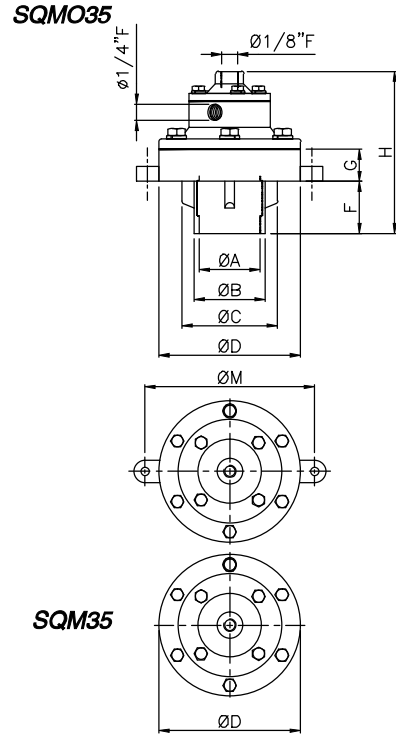
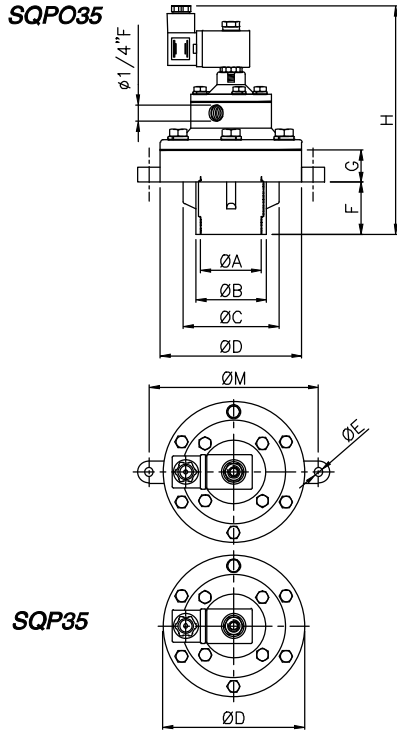
SQP Integral solenoid pilot version
SQM Remote pilot version



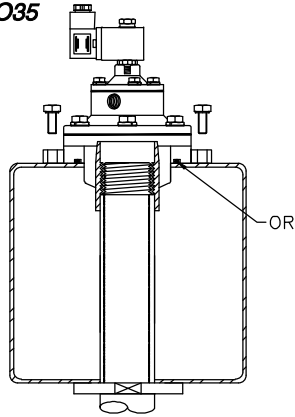
SQPO Integral solenoid pilot version
SQMO Remote pilot version



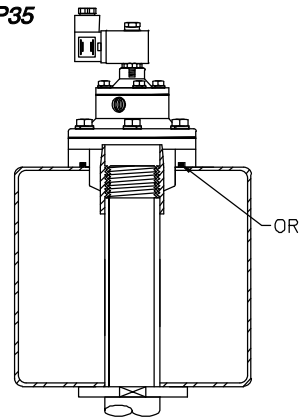
Overall dimensions / SQ Series - $\varnothing 1\frac{1}{2}$ SQ



Mounting SQPO35



Mounting SQP35



Model	$\varnothing A$	$\varnothing B$	$\varnothing C$	$\varnothing D$	$\varnothing E$	F	G	H	M	Weight (Kg)
SQP 35	1 $\frac{1}{2}$	57	80,5	114	9	42	26	162	130	1,6
SQPO 25	1 $\frac{1}{2}$	57	80,5	114	9	42	26	162	130	1,6
SQM 35	1 $\frac{1}{2}$	57	80,5	114	9	42	26	104	130	1,4
SQMO 35	1 $\frac{1}{2}$	57	80,5	114	9	42	26	104	130	1,4

SQ SQ Series - Ø 2" - 2"½ - 3" - 4"



CHARACTERISTICS

Fluid	Filtered and oilfree compressed air
Temperature range	STD diaphragm -20°C; +80°C Viton diaphragm -20°C; +200°C
Operating pressure	min 0,5 bar - max 7,5 bar
Body and cover	Die cast aluminium
Core tube	Stainless steel
Plunger	Stainless steel
Screws	Stainless steel
Coil insulation	Class H
Din's connector	PG 9 EN175301-803
Protection Din's connector + Coil	IP65 EN60529
Standard voltage	24V/50-60Hz (±10%) 19VA 115V/50-60Hz (±10%) 19VA 230V/50-60Hz (±10%) 19VA 24VDC (± 10%) 18 Watt

DESCRIPTION	VALVE SQM50/SQP50
1 Coil + Din Connector	BH10...V/50-60Hz
2 Screws + Washers	VTE6x20+TROND6GROWER
3 Pole assembly	GPC10
4 Cover direct drive	TCOP25
5 Remote operated cover	TCOP25FM
6 Diaphragm	M25
6a Spring	TMOL10G
7 Screws + Washers	VTE10x25+TROND10GROWER
8 Cover	TCOP50G
9 Spring	TMOL40
10 Diaphragm	M50
11 Body	TCOR50FG
12 O-ring	G OR133,35x5,3

SQP Integral solenoid pilot version
SQM Remote pilot version

DESCRIPTION	VALVE SQM75IN/SQP75IN
1 Coil + Din Connector	BH10...V/50-60Hz
2 Screws + Washers	VTE6x20+TROND6GROWER
3 Pole assembly	GPC10
4 Cover direct drive	TCOP25
5 Remote operated cover	TCOP25FM
6 Diaphragm	M25
6a Spring	TMOL10G
7 Screws + Washers	VTE10x25+TROND10GROWER
8 Cover	TCOP65G
9 Spring	TMOL40
10 Diaphragm	M76
11 Body	TCOR75FLQ
12 O-ring	G OR177,17x6,99

SQP Integral solenoid pilot version
SQM Remote pilot version

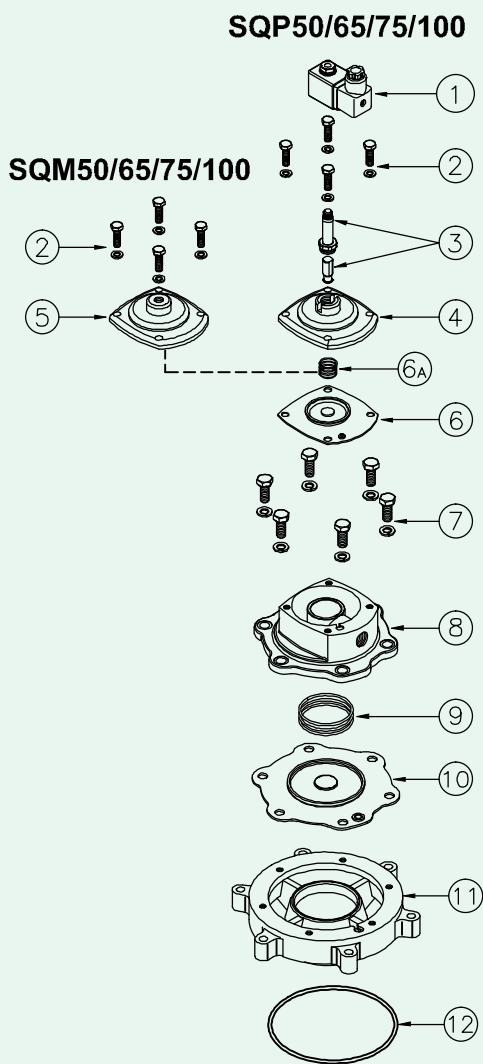
DESCRIPTION	VALVE SQM65IN/SQP65IN
1 Coil + Din Connector	BH10...V/50-60Hz
2 Screws + Washers	VTE6x20+TROND6GROWER
3 Pole assembly	GPC10
4 Cover direct drive	TCOP25
5 Remote operated cover	TCOP25FM
6 Diaphragm	M25
6a Spring	TMOL10G
7 Screws + Washers	VTE10x25+TROND10GROWER
8 Cover	TCOP65G
9 Spring	TMOL40
10 Diaphragm	M55/LP
11 Body	TCOR65FLQ
12 O-ring	G OR177,17x6,99

SQP Integral solenoid pilot version
SQM Remote pilot version

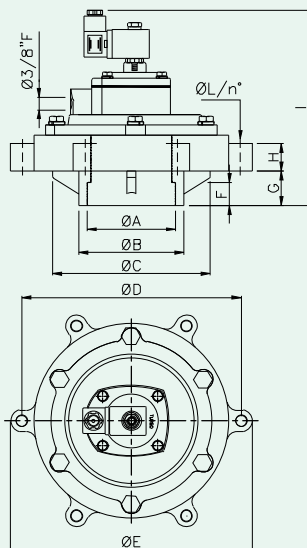
DESCRIPTION	VALVE SQM100IN/SQP100IN
1 Coil + Din Connector	BH10...V/50-60Hz
2 Screws + Washers	VTE6x20+TROND6GROWER
3 Pole assembly	GPC10
4 Cover direct drive	TCOP25
5 Remote operated cover	TCOP25FM
6 Diaphragm	M25/BW
6a Spring	TMOL10G
7 Screws + Washers	VTE10x25+TROND10GROWER
8 Cover	TCOP65G
9 Spring	TMOL40
10 Diaphragm	M76
11 Body	TCOR100FLQ
12 O-ring	G OR177,17x6,99

SQP Integral solenoid pilot version
SQM Remote pilot version

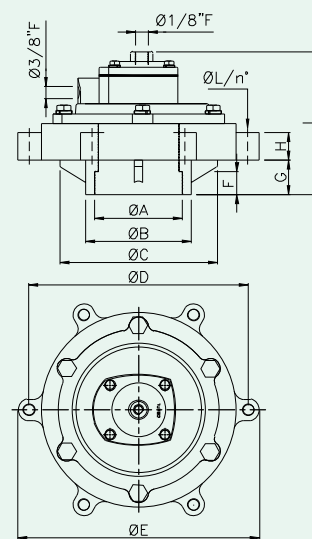
Overall dimensions / SQ Series - Ø 2" - 2"½ - 3" - 4" SQ



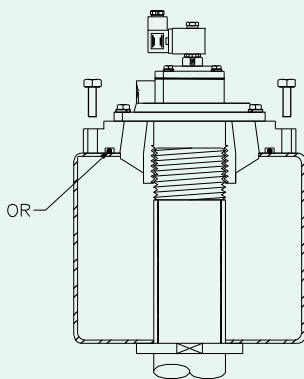
SQP50/65/75/100



SQM50/65/75/100

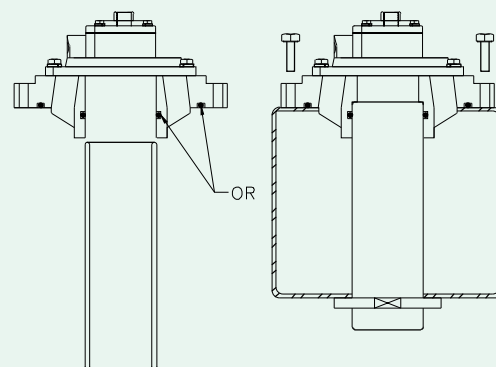


**Mounting
SQP50 / SQM50**



Mounting

**SQP65 / SQM65 PUSH IN
SQP75 / SQM75 PUSH IN
SQP100 / SQM100 PUSH IN**



Model	Ø A	Ø B	Ø C	Ø D	Ø E	F	G	H	I	L	Weight (Kg)
SQP 50	2"	83	126	175	195	39	60	20	211	11	2,4
SQP 65IN	2"½	107,5	161	225	247	44	35,5	27	205	11	3,9
SQP 75IN	3"	107,5	161	225	247	50	35,5	27	205	11	3,7
SQP 100IN	4"	119,5	161	225	247	44	35,5	27	205	11	3,8
SQM 50	2"	83	126	175	195	39	60	20	153	11	2,2
SQM 65IN	2"½	107,5	161	225	247	44	35,5	27	147	11	3,7
SQM 75IN	3"	107,5	161	225	247	50	35,5	27	147	11	3,5
SQM 100IN	4"	119,5	161	225	247	44	35,5	27	148	11	3,6