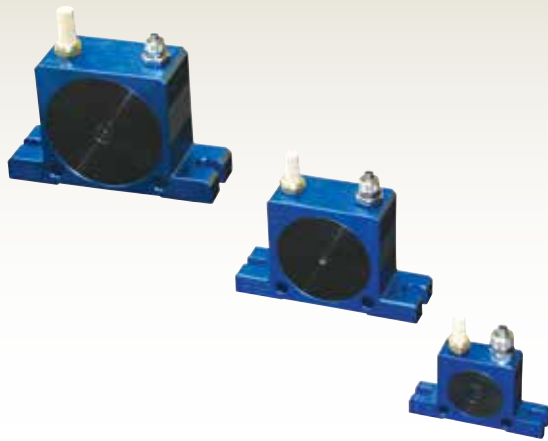


Animal Feed Milling

External Pneumatic Vibrators S-Type



31



Description ▼

S-Type External Pneumatic Ball Vibrators develop frequencies of up to 35,000 r.p.m. They are used wherever powdery materials have to be moved. S-type Ball Vibrators are installed on bins to prevent bridging or rat holing and for the improvement of material flow on chutes, screens and vibrating tables.

Function ▼

S-type Ball Vibrators are used for emptying without bridging (hoppers, bins), assisting the flow of material from chutes, as well as for the prevention of adhesion on pipes or plates.



Application ▼

S-type Ball Vibrators are used in all types of powdery or granular material processing plants where flow aids are required.

Typical application are the discharge of cereal powders, starch and additives from small hoppers or silos, or cleaning of pipes in the plant. They are fitted to FIBC discharger or storage, weigh and feeding hoppers.

Benefits ▼

- ✓ Large amplitude even with low operating pressure;
- ✓ ATEX compliance – Ex II 2GD;
- ✓ Variable frequency;
- ✓ Generates vibrations with high frequency and low amplitude;
- ✓ Solves all mass flow problems;
- ✓ Maintenance-free;
- ✓ Durable;
- ✓ Lubrication-free;
- ✓ Low air consumption;
- ✓ Casing in anodised aluminium.



Animal Feed Milling

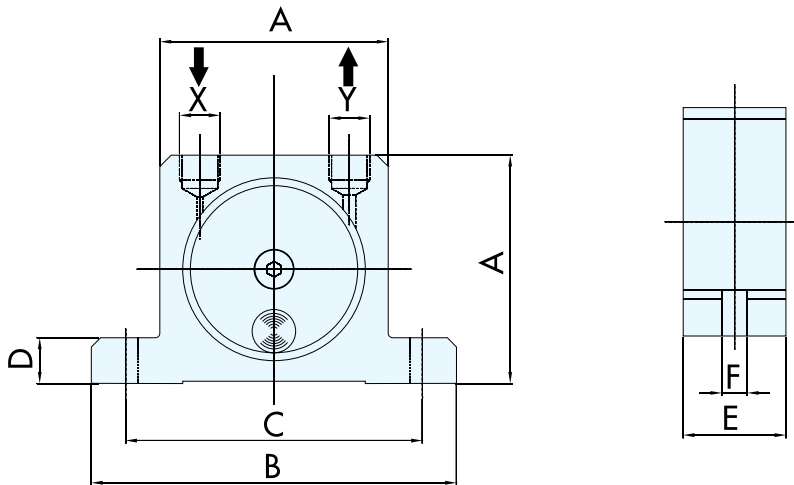
External Pneumatic Vibrators S-Type



Technical Features / Performance ▼

- ▶ Galvanised steel cover
- ▶ Brass silencer
- ▶ Nickel-plated brass air nipple inlet
- ▶ Working temperature: -20° C ~ 120° C (-4° F ~ 250° F)
- ▶ Working pressure: 3 ~ 6 bar (44 to 88 psi)

Overall Dimensions ▼



TYPE	A		B		C		D		E		F		X-Y		
	mm	in	mm	in	mm	in	mm	in	mm	in	mm	in		kg	lb
S8	50	1.97	86	3.39	68	2.68	12	0.47	20	0.79	7	0.28	1/8"	0.13	0.29
S 10															
S 13	65	2.56	113	4.45	90	3.54	16	0.63	25	0.98	9	0.35	1/4"	0.26	0.57
S 16									28	1.10				0.30	0.66
S 20	80	3.15	128	5.04	104	4.09	16	0.63	33	1.30	9	0.35	1/4"	0.53	1.17
S 25									38	1.50				0.63	1.39
S 30	100	3.94	160	6.30	130	5.12	20	0.79	45	1.77	11	0.43	3/8"	1.13	2.49
S 36									50	1.97				1.34	2.95

TYPE	Vibrations			F.C. max.						Air Consumption					
	2 bar=29 psi		4 bar=58 psi	2 bar=29 psi		4 bar=58 psi		6 bar=87 psi		2 bar=29 psi		4 bar=58 psi		6 bar=87 psi	
	Vpm			kg	lb	kg	lb	kg	lb	l/min	CF/min	l/min	CF/min	l/min	CF/min
S8	25,500	31,000	35,000	13	29	26	57	36	79	83	2.9	145	5.1	195	6.9
S 10	22,500	28,000	34,000	25	55	47	103	71	156	92	3.2	150	5.3	200	7.1
S 13	15,000	18,500	22,500	32	70	55	121	87	191	94	3.3	158	5.6	225	7.9
S 16	13,000	17,000	19,500	45	99	80	176	110	242	122	4.3	200	7.1	280	9.9
S 20	10,500	14,500	16,500	72	158	122	268	172	378	130	4.6	230	8.1	340	12.0
S 25	9,200	12,200	14,000	93	205	157	345	205	451	160	5.7	290	10.2	425	15.0
S 30	7,800	9,700	12,500	151	332	247	543	321	706	215	7.6	375	13.2	570	20.1
S 36	7,300	9,000	10,000	206	453	315	693	405	891	260	9.2	475	16.8	675	23.8

D.S.200.5.6H/March/2012.800 Rights reserved to modify technical specifications.

This datasheet does not show the complete range but only the models most suitable for the application.



www.wamgroup.com