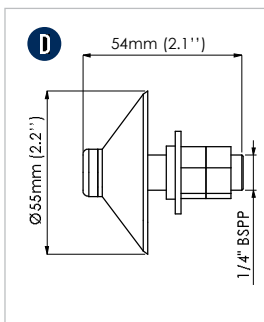
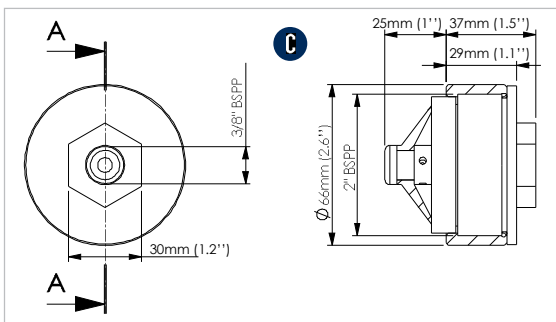
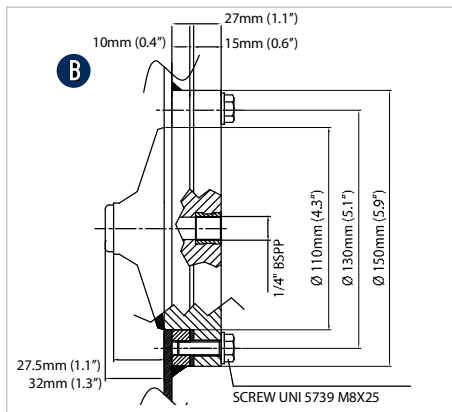
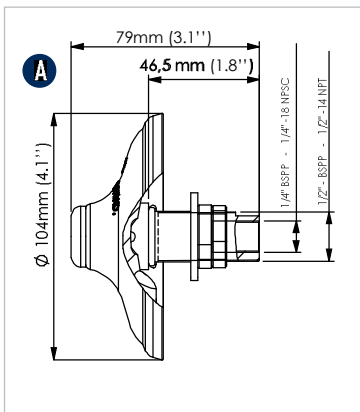




VBS - Bin aerators



MODEL	DRAWING	MEMBRANE COLOUR	STEM MATERIAL	AIR CONSUMPTION								WORKING TEMPERATURE			
				0.8 bar (11.6 psi)		2 bar (29 psi)		4 bar (58 psi)		6 bar (87 psi)		°C		°F	
				l/min	Cfm	l/min	Cfm	l/min	Cfm	l/min	Cfm	Min.	Max.	Min.	Max.
VBS	A	White	Aluminium	600	20	800	28	950	33	1150	40	-40	170	-40	338
VBSI	A	White	Stainless steel	600	20	800	28	950	33	1150	40	-40	170	-40	338
VBSIHT	A	Red	Stainless steel	600	20	800	28	950	33	1150	40	-40	235	-40	455
VBSIMD	A	Blue	Stainless steel	600	20	800	28	950	33	1150	40	-40	170	-40	338
VBE	B	White	Nylon	-	-	100	3.53	150	5.29	250	8.82	-40	80	-40	176
VBSME	C	White	Nylon	130	4.6	150	5.3	-	-	-	-	-40	80	-40	176
VBSM	D	White	Aluminium	100	3.5	150	5	-	-	-	-	-40	170	-40	338
VBSMI	D	White	Stainless steel	100	3.5	150	5	-	-	-	-	-40	170	-40	338
VBSMIHT	D	Red	Stainless steel	100	3.5	150	5	-	-	-	-	-40	235	-40	455
VBSMIMD	D	Blue	Stainless steel	100	3.5	150	5	-	-	-	-	-40	170	-40	338

VBS - BIN AERATORS

APPLICATION	Silos, hoppers, pipes
POWDER	Dry, fine, granular
PROBLEM SOLVING	Bridge and rat-holing

FEATURES

DUTY CYCLE	Continuous or discontinuous
WORKING PRESSURE	From 0.8 bar to 6 bar (from 12 psi to 87 psi) - Suggested: 4 bar (58 psi) VBSMicro: from 0.8 bar to 2 bar (from 12 psi to 29 psi)
PNEUMATIC CIRCUIT	Filter + flow control valve
AIR SUPPLY QUALITY	Non-Lubricated [Class. 5.4.1]
TECHNOLOGY	Vibro-Aerator
MATERIAL	Silicone membrane [food grade] - FDA 177.2600 Aluminium / stainless steel stem [Food & Pharmaceutical grade] Nylon body with steel ring [VBSE]

OPTIONS

EXTERNAL MOUNTING KIT	Stainless steel rectangular plate and fitting bracket
-----------------------	---

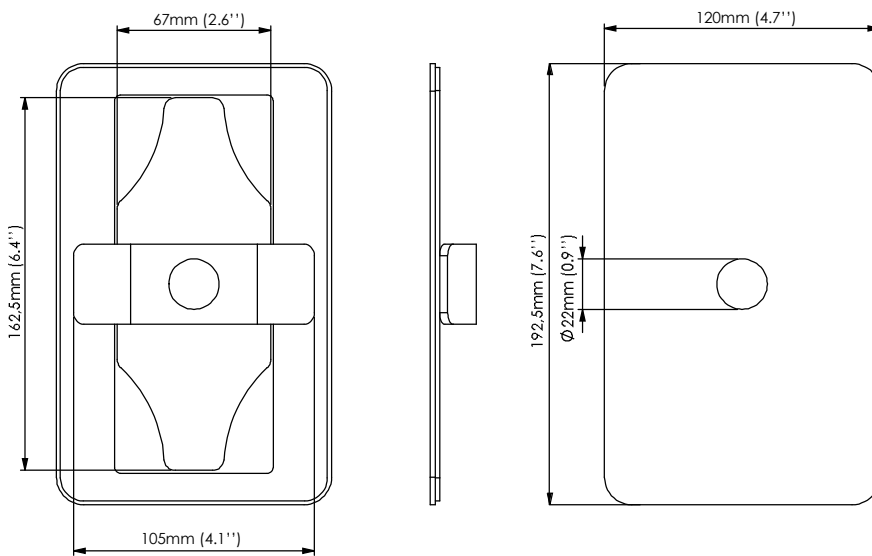




VBS - Bin aerators - External mounting kit

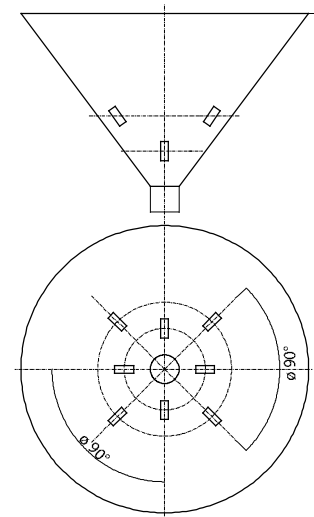
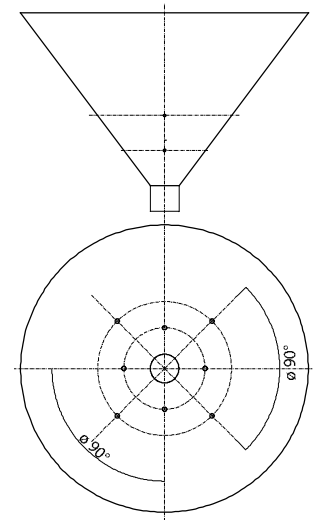


*** THE VBS IS NOT INCLUDED IN THE EXTERNAL MOUNTING**

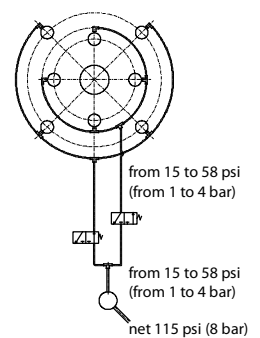


EXTERNAL MOUNTING KIT

PROBLEM SOLVING	Allows the installation on silos that are difficult to reach from the inside
MATERIAL	Stainless steel rectangular plate
SIZE	120 x 192.5 mm [4.72" x 7.58"]
CUT OUT SIZE	67 x 162.5 mm [2.64" x 6.40"]



FLUIDIZER PNEUMATIC CIRCUITS

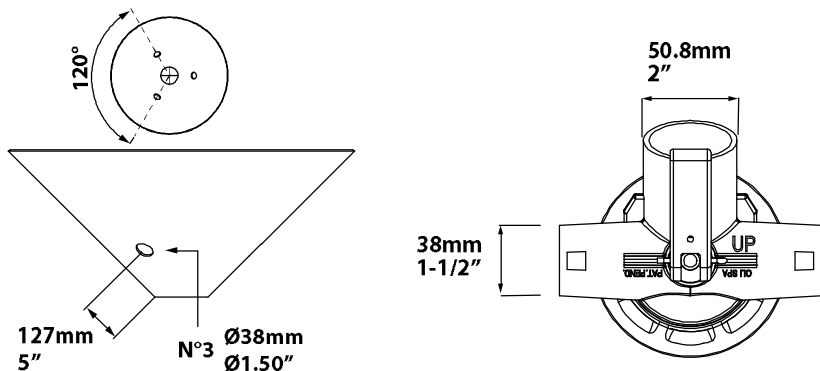


This information is furnished without warranty, representation, inducement or license of any kind. It is accurate to the best of OLI knowledge or is obtained from sources believed to be accurate. OLI therefore assumes no legal responsibility.

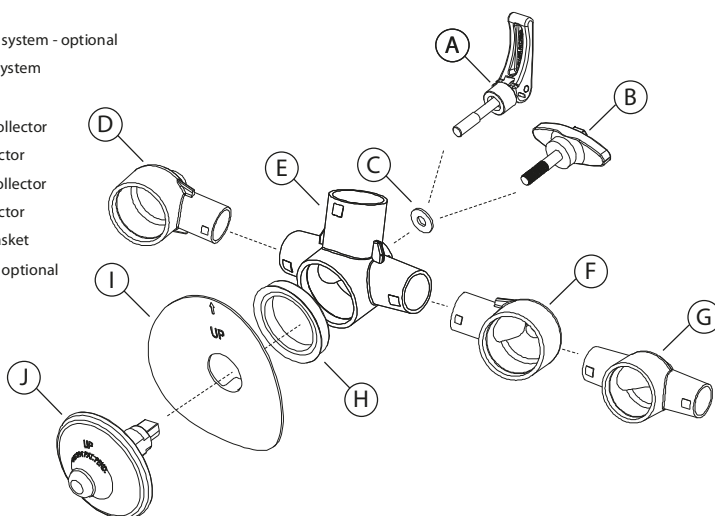




VBT - Tank truck aerators



- (A) Cam lever lock system - optional
- (B) T-handle lock system
- (C) Gasket
- (D) RH 1-Way air collector
- (E) 3-Way air collector
- (F) LH 1-Way air collector
- (G) 2-Way air collector
- (H) Air collector gasket
- (I) Hopper saver - optional
- (J) Membrane



VBT SERIES

APPLICATION	Dry bulk tank trailer, rail tanker
POWDER	Dry, fine, granular
PROBLEM SOLVING	Bridging and rat-holing

FEATURES

DUTY CYCLE	Continuous (suitable to be used with blower)
WORKING PRESSURE	From 0.7 bar to 2 bar (from 10 psi to 29 psi)
PNEUMATIC CIRCUIT	Suitable standard pneumatic bulk trailer, works with all standard designs
WORKING TEMPERATURE	From -40 °C to 170 °C (from -40 °F to 340 °F)
TECHNOLOGY	Vibro-aeration
MATERIAL	Blue silicone membrane: metal detectable, comply with FDA 177.2600 Stem - Black polyarylamide glass-fiber reinforced comply with 10/2011/EC - FDA - UL94 Manifold - Black polyarylamide glass-fiber reinforced comply with 10/2011/EC - FDA - UL94 Manifold - Transparent material comply with ISO 10993 - FDA 21 CFR 177.1655 - NSF 51 - UL94 Lever and T-handle - Black polyarylamide glass-fiber reinforced / Stainless steel thread shaft Silicone gasket

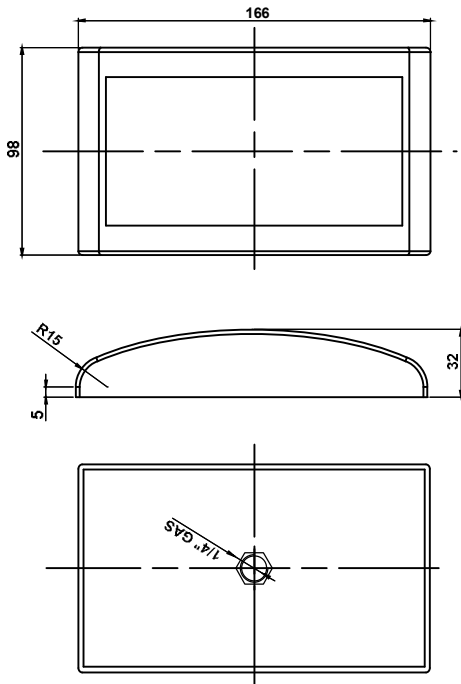
OPTIONS

CAM LEVER	Shaft material: AISI304
HOPPER SAVER PLATE	Stainless steel

This information is furnished without warranty, representation, inducement or license of any kind. It is accurate to the best OLI knowledge or is obtained from sources believed to be accurate. OLI therefore assumes no legal responsibility.



I100 - Aeration pads



MODEL	AIR CONSUMPTION	
	0.2 bar (2.9 psi)	
	l/min	cfm
I100	2	0.07

I100 - AERATION PADS

APPLICATION Hopper and silo

POWDER Fine and dust (cement and lime)

PROBLEM SOLVING Bridge and rat-holing

FEATURES

DUTY CYCLE Continuous

WORKING PRESSURE 0.2 bar (2.9 psi)

PNEUMATIC CIRCUIT Filter + flow control valve

AIR SUPPLY QUALITY Class 5.4.1.

WORKING TEMPERATURE From -20 °C to 80 °C (from -4 °F to 176 °F)

TECHNOLOGY Fluidification

MATERIAL Sintered PET filter, PS body

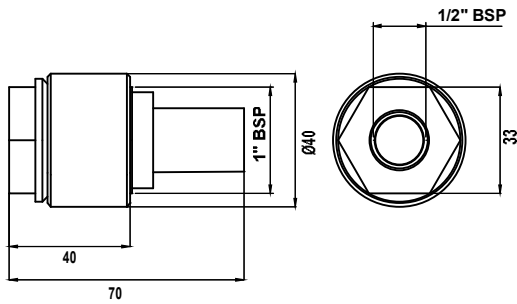
This information is furnished without warranty, representation, inducement or license of any kind. It is accurate to the best of OLI knowledge or is obtained from sources believed to be accurate. OLI therefore assumes no legal responsibility.



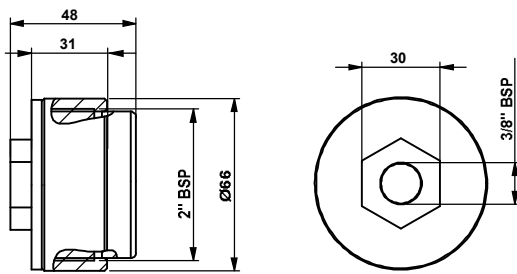


U - Aeration nozzles

A



B



MODEL	DRAWINGS	AIR CONSUMPTION			
		0.2 bar (2.9 psi)		1 bar (14 psi)	
		l/min	Cfm	l/min	Cfm
U025	A	0.83	0.03	-	-
U060	B	-	-	30	1.1

U - AERATION NOZZLES

APPLICATION	Hopper and silo - piping
POWDER	Fine and dust (cement and lime)
PROBLEM SOLVING	Bridge and rat-holing

FEATURES

DUTY CYCLE	Continuous
WORKING PRESSURE	From 0.2 bar to 1 bar (from 2.9 psi to 14 psi)
PNEUMATIC CIRCUIT	Filter + flow control valve
AIR SUPPLY QUALITY	Class 5.4.1
WORKING TEMPERATURE	From -20 °C to 80 °C (from -4 °F to 176 °F)
TECHNOLOGY	Fluidification
MATERIAL	U060 - ring carbon steel, sintered PE filter, Nylon (UV resistant) body U025 - ring carbon steel, sintered brass filter, Nylon (UV resistant) body

This information is furnished without warranty, representation, inducement or license of any kind. It is accurate to the best OLI knowledge or is obtained from sources believed to be accurate. OLI therefore assumes no legal responsibility.