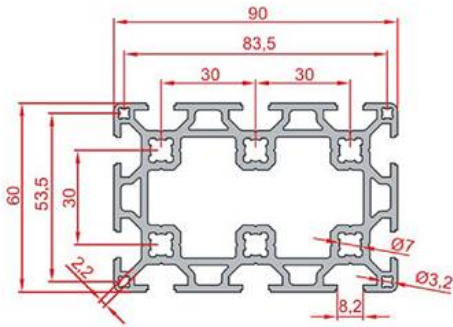


60X90 SIGMA PROFILE HEAVY



General Specifications

Used as carrying profile on machine frames requiring high strength, and on larger constructions.  
Thanks to mechanical proslots mounted on the profile, it can be employed as frame for bedding axes.

Stock Code	Stock Name	External Dimensions	Material	L(mm)	Ix	Iy	Wx	Wy	Area	Mass
1.1.08.060090.01	60x90 Sigma Profile Heavy	60x90	6063	6000	59,4 cm <sup>4</sup>	122 cm <sup>4</sup>	26,8 cm <sup>3</sup>	46,51 cm <sup>3</sup>	14,7 cm <sup>2</sup>	4 Kg/m