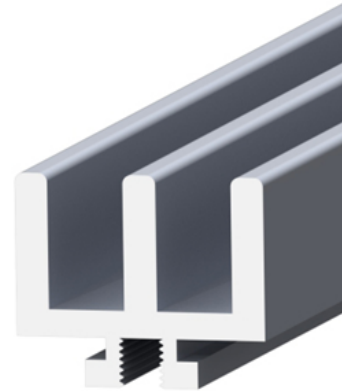
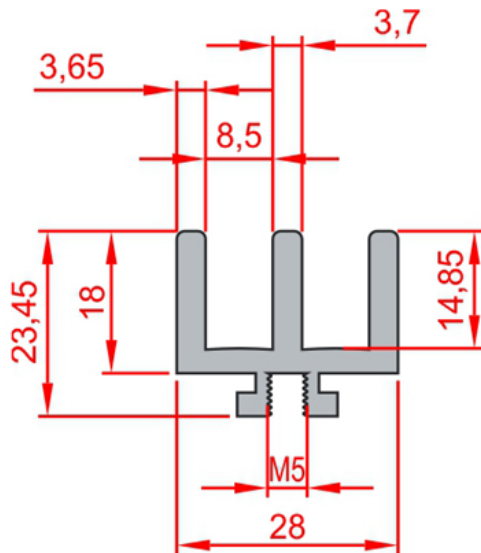


## 18X28 SLIDE PROFILE K8



## General Specifications

Designed for use of slide doors on cabins and compartments, it ensures significantly easier assembly.

Can constitute reliable connection through anchoring with M5 bolt wherever required on slot of profiles in slot 8 series.

Stock Code	Stock Name	External Dimensions	Material	L(mm)	Ix	Iy	Wx	Wy	Area	Mass
1.2.00.018028.00	18x28 Slide Profile K8	18x28	6063 T5	6000	2,24 cm <sup>4</sup>	1,09 cm <sup>4</sup>	0,92 cm <sup>4</sup>	1,6 cm <sup>4</sup>	2,82 cm <sup>2</sup>	0,76 Kg/mt